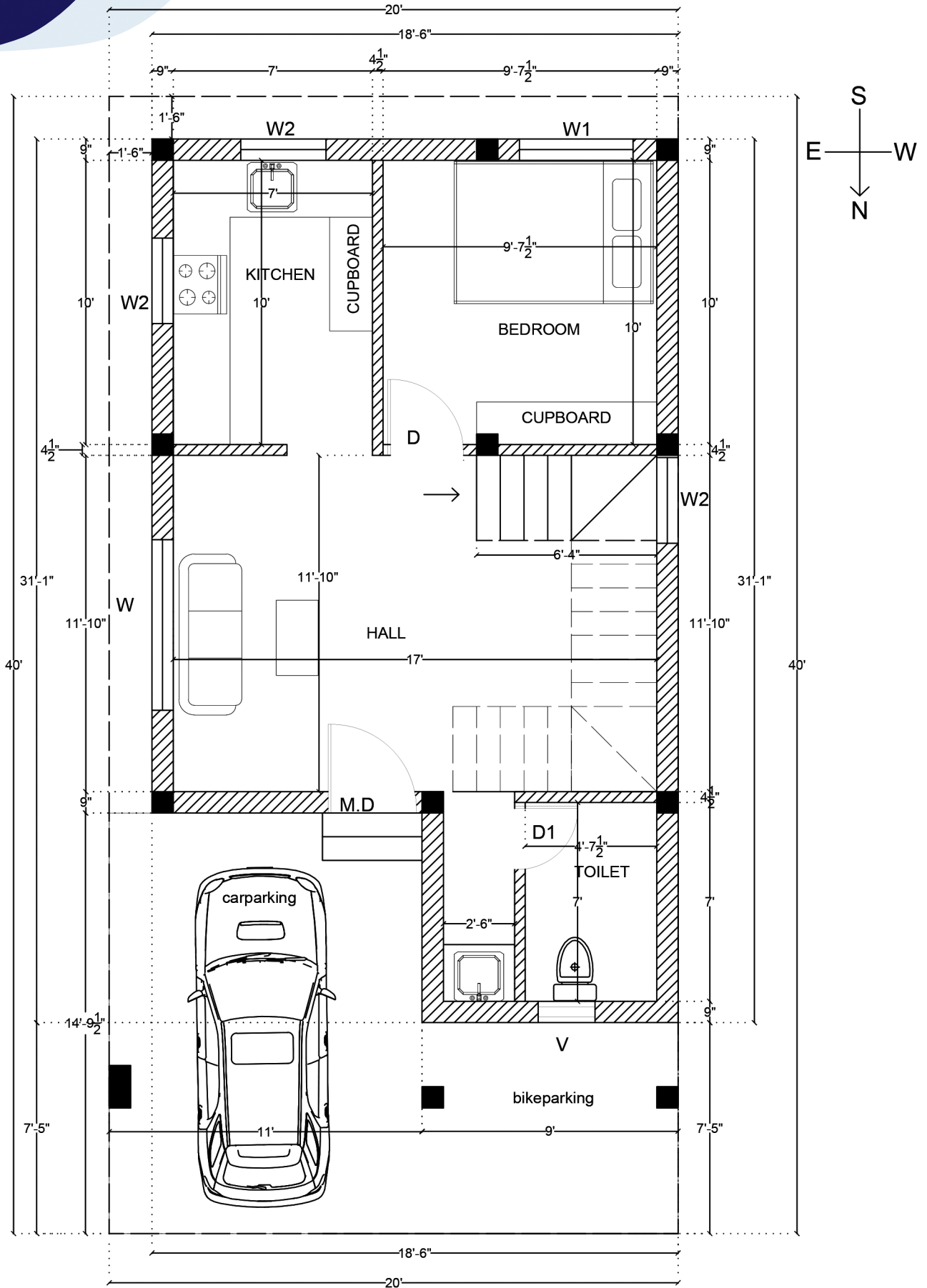




# MALARKODI CONSTRUCTION

( Builders & Land Promoters )



**GROUND FLOOR OPTION 2 - 734.4 SQ.FT**

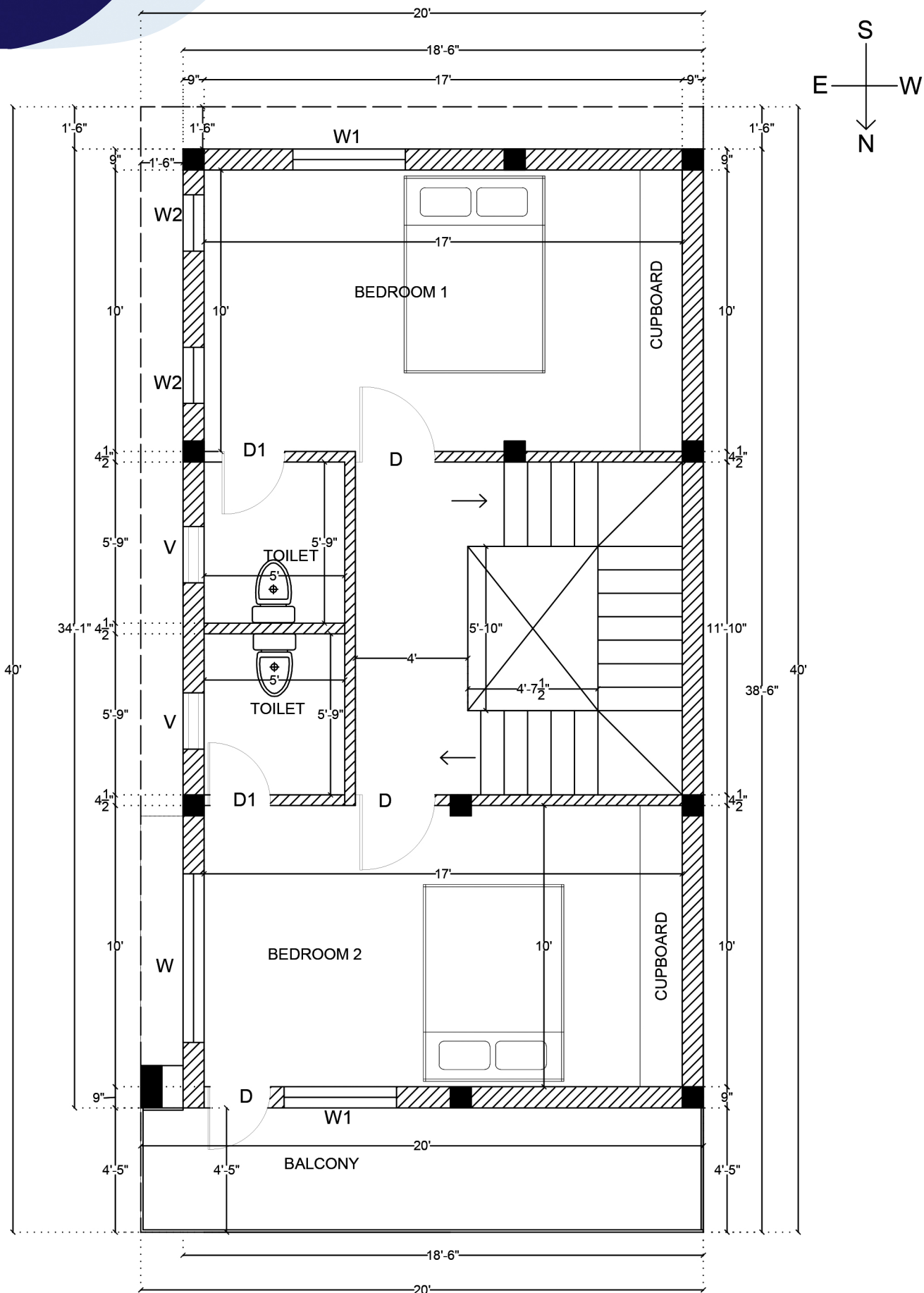
No.20, V.O.C Street, West Tambaram, Chennai - 600 045.

044 - 35775510 / 98419 21582 / 98410 21582 malarkodiconstruction@gmail.com



# MALARKODI CONSTRUCTION

( Builders & Land Promotors )



**FIRST FLOOR OPTION 2 - 721 SQ.FT**

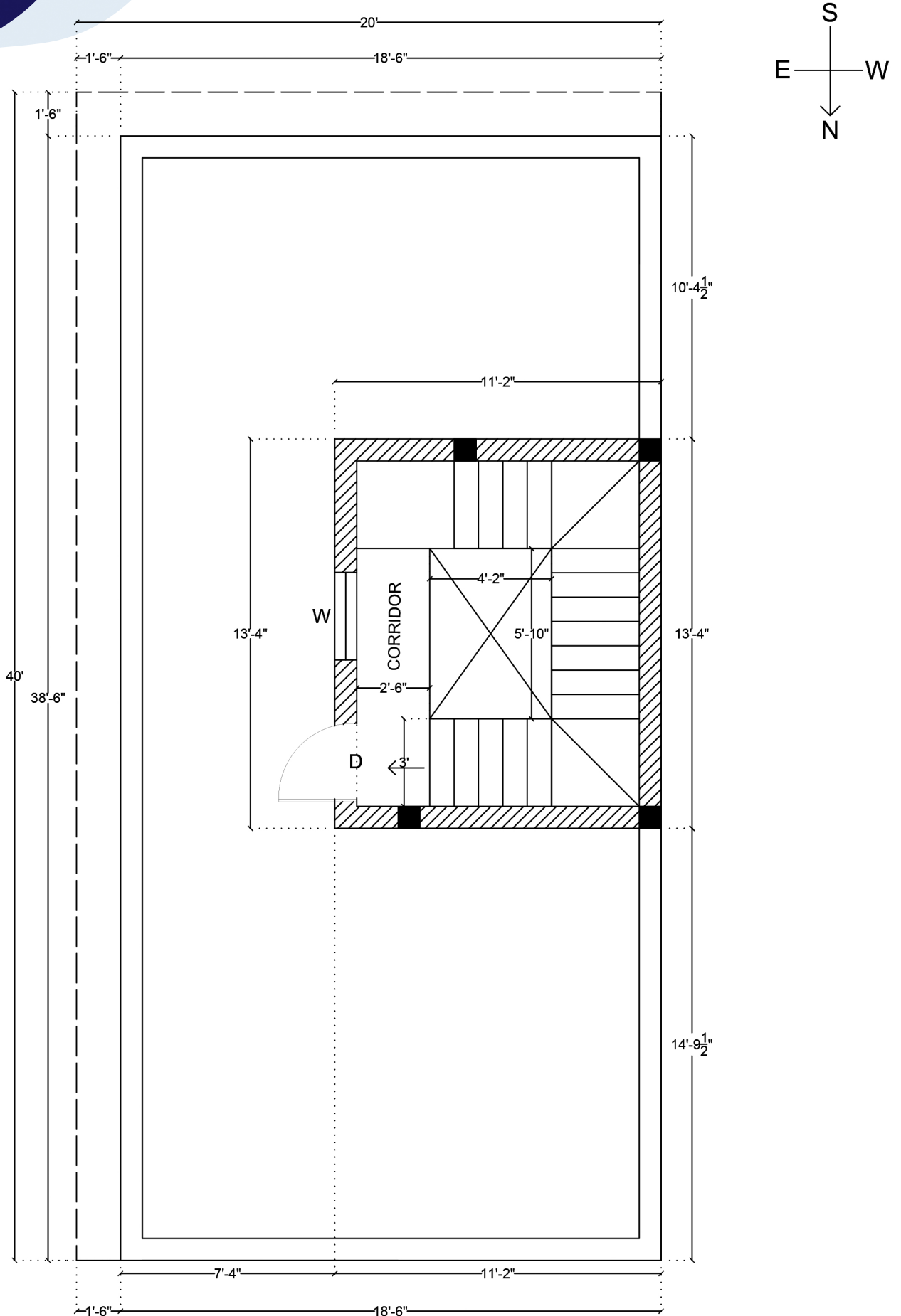
No.20, V.O.C Street, West Tambaram, Chennai - 600 045.

044 - 35775510 / 98419 21582 / 98410 21582 malarkodiconstruction@gmail.com



# MALARKODI CONSTRUCTION

( Builders & Land Promoters )



**TERRACE HEADROOM - 148.8 SQ.FT**

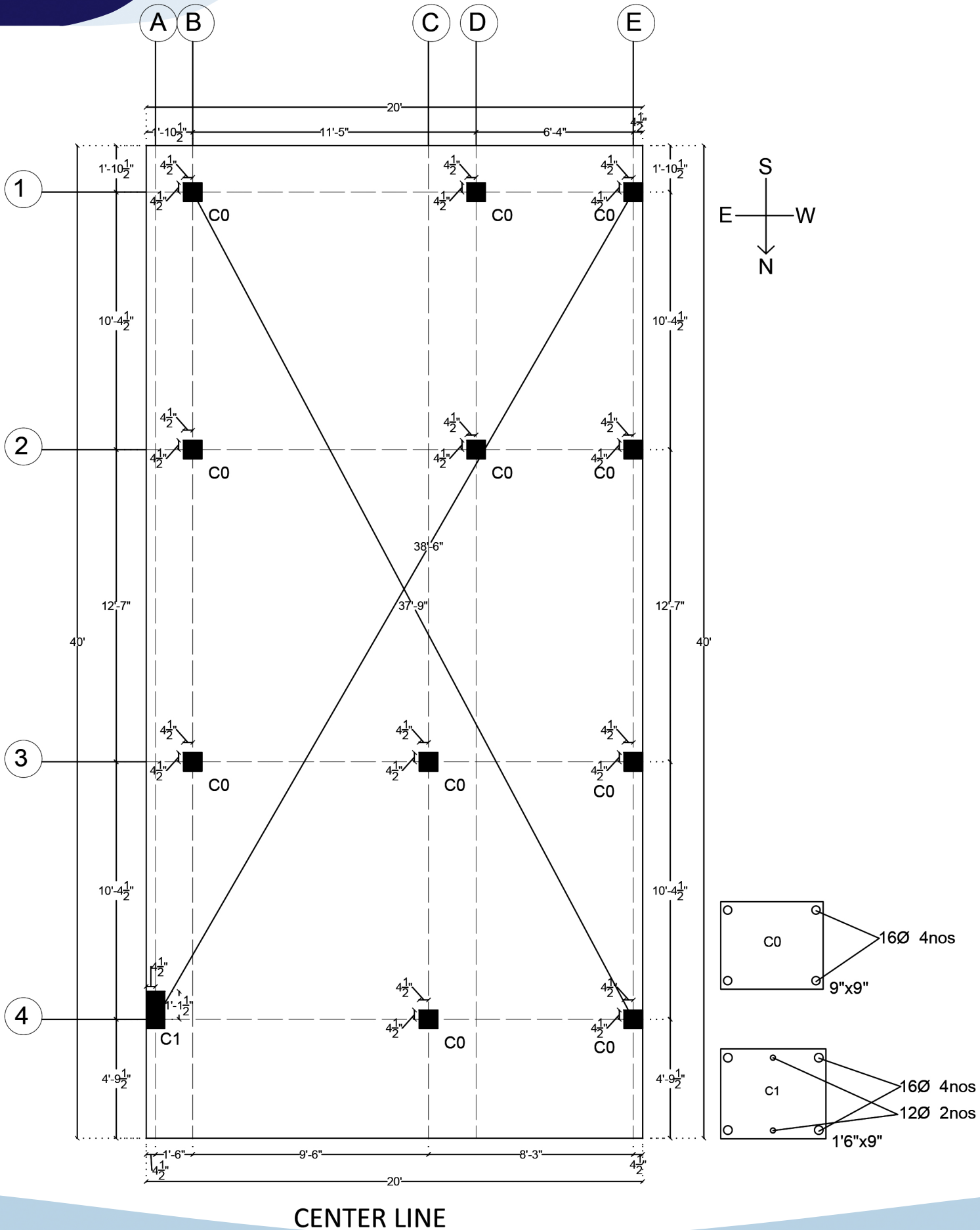
No.20, V.O.C Street, West Tambaram, Chennai - 600 045.

044 - 35775510 / 98419 21582 / 98410 21582 malarkodiconstruction@gmail.com



# MALARKODI CONSTRUCTION

( Builders & Land Promotors )



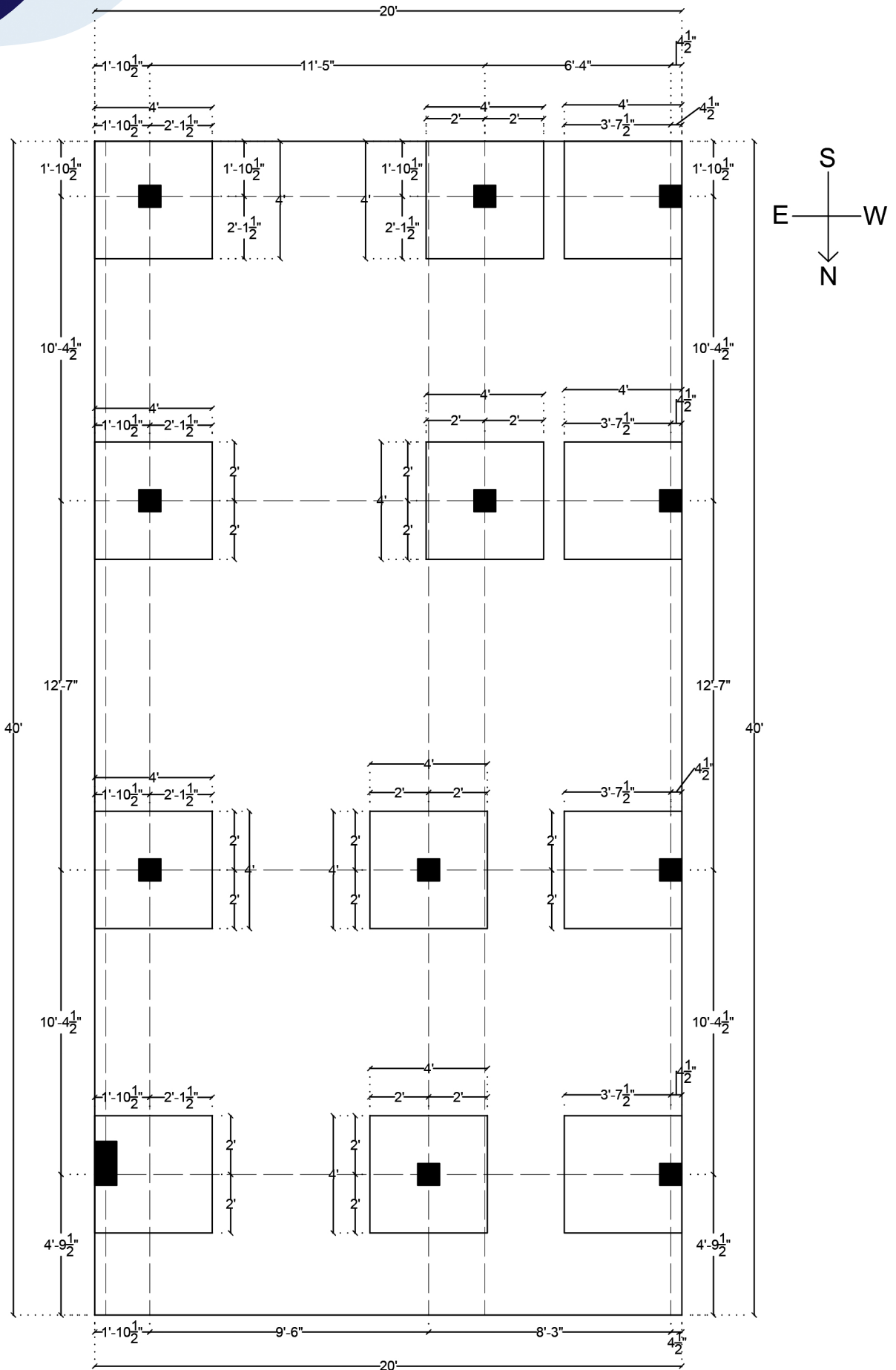
No.20, V.O.C Street, West Tambaram, Chennai - 600 045.

044 - 35775510 / 98419 21582 / 98410 21582 malarkodiconstruction@gmail.com



# MALARKODI CONSTRUCTION

( Builders & Land Promoters )



## FOOTING LAYOUT

No.20, V.O.C Street, West Tambaram, Chennai - 600 045.

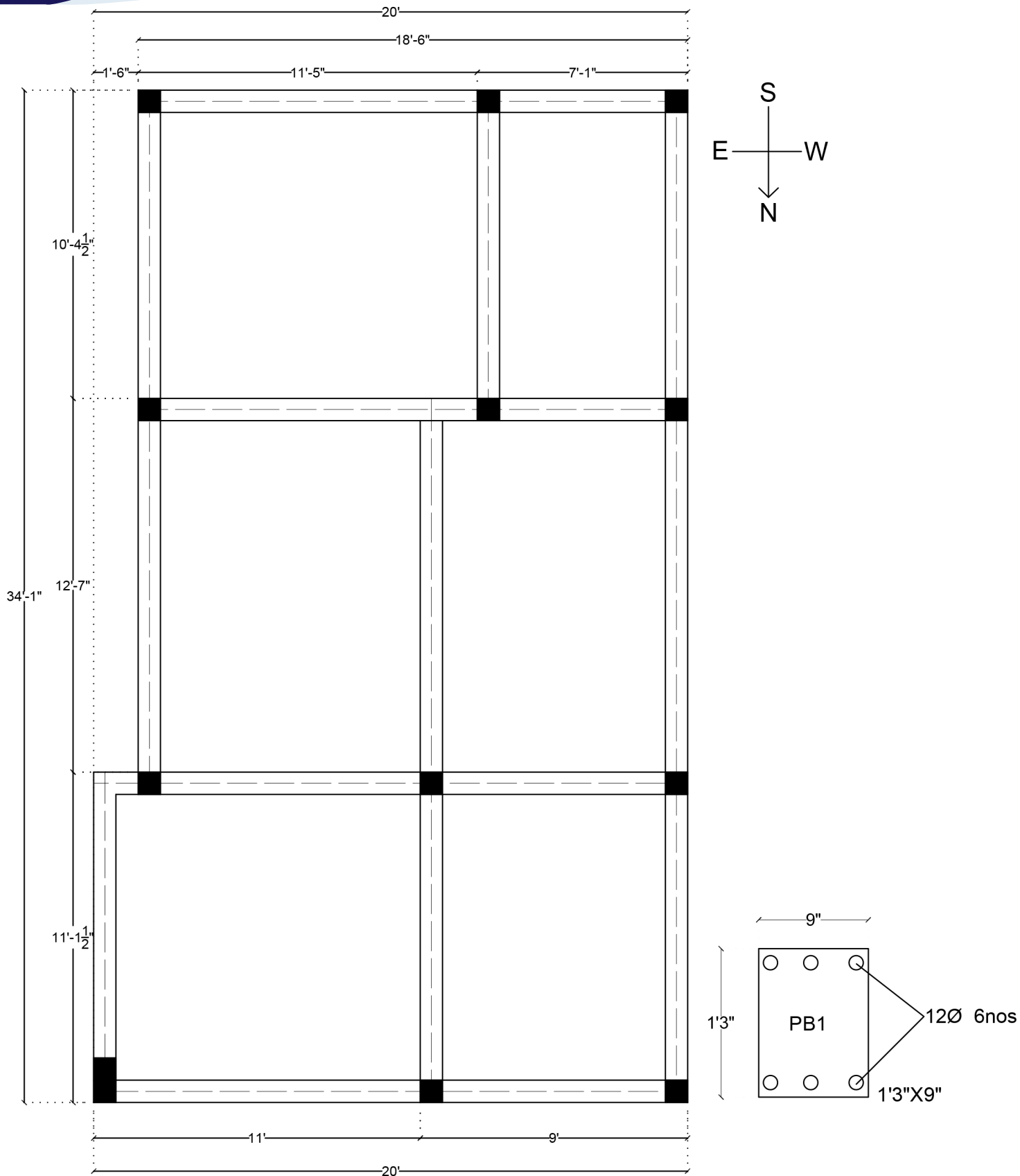
044 - 35775510 / 98419 21582 / 98410 21582

malarkodiconstruction@gmail.com



# MALARKODI CONSTRUCTION

( Builders & Land Promoters )

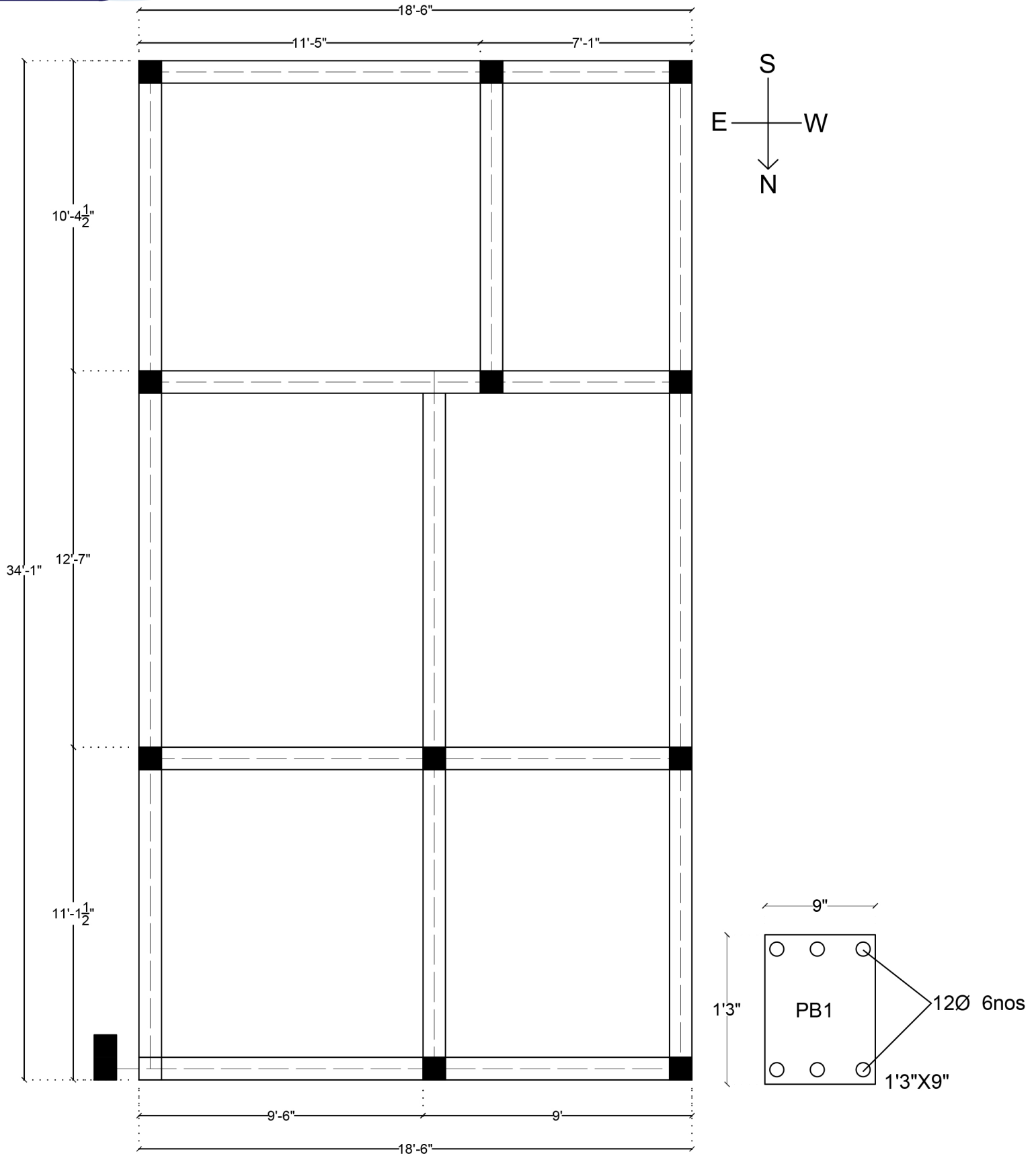


PLINTH BEAM LAYOUT



# MALARKODI CONSTRUCTION

( Builders & Land Promoters )



## ROOF BEAM LAYOUT

No.20, V.O.C Street, West Tambaram, Chennai - 600 045.

044 - 35775510 / 98419 21582 / 98410 21582 malarkodiconstruction@gmail.com